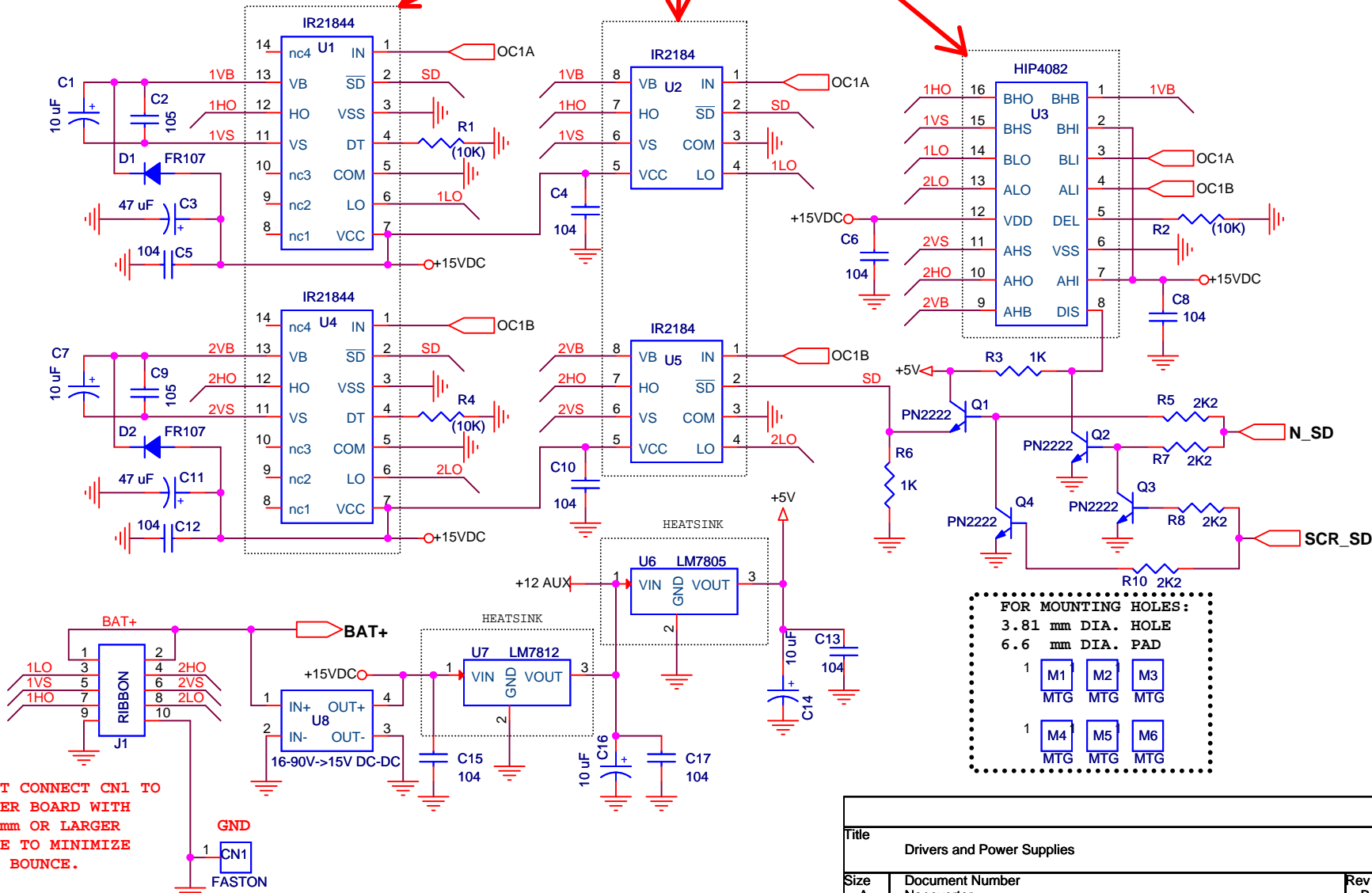
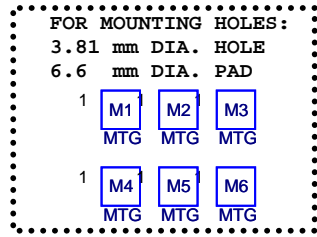


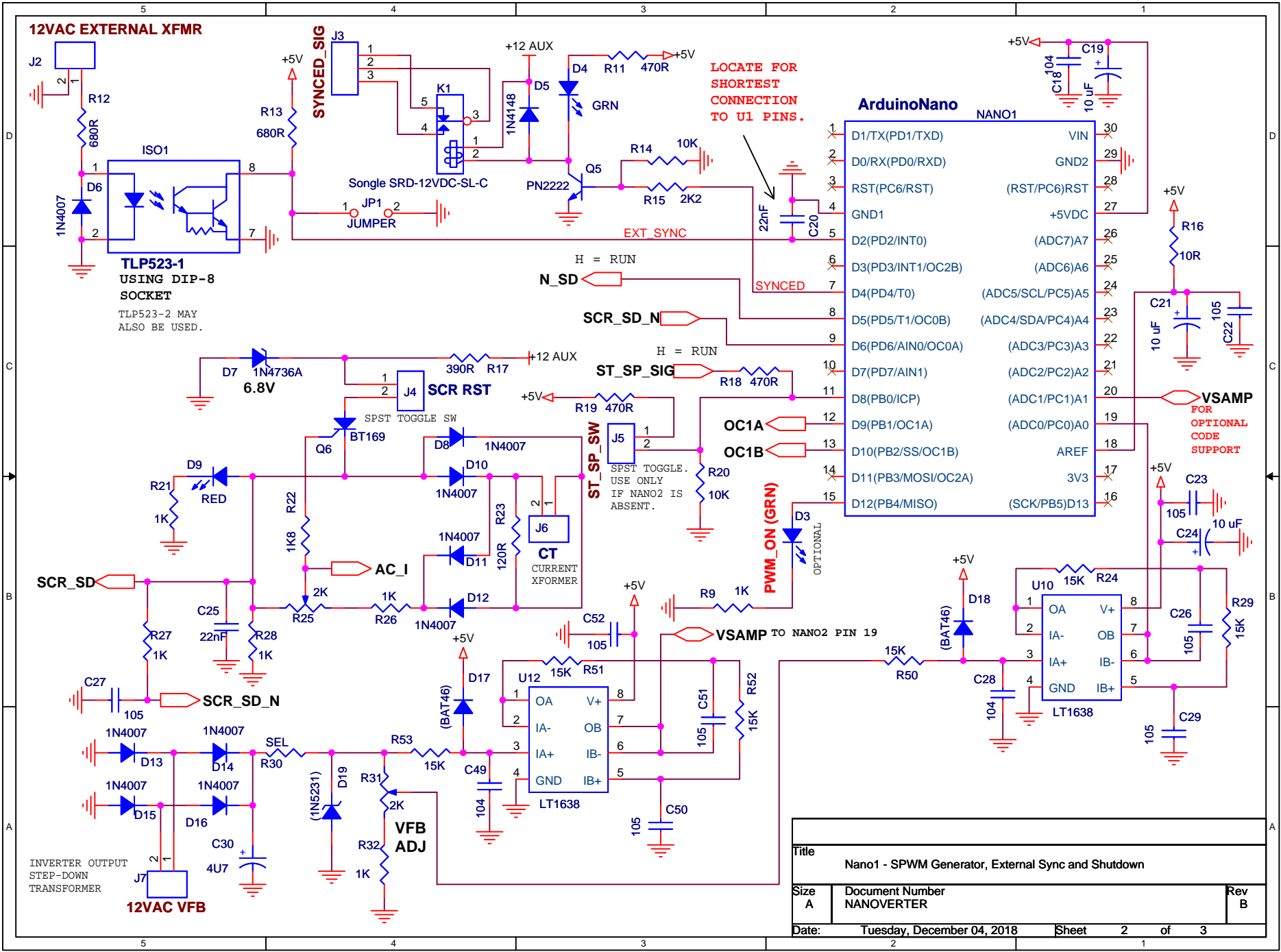
**CHOOSE YOUR POISON.
CAUTION: MORE THAN ONE CAN KILL!**



**MUST CONNECT CN1 TO
POWER BOARD WITH
1.6mm OR LARGER
WIRE TO MINIMIZE
GND BOUNCE.**



Title		
Drivers and Power Supplies		
Size A	Document Number Nanoverter	Rev B
Date:	Tuesday, December 04, 2018	Sheet 1 of 3

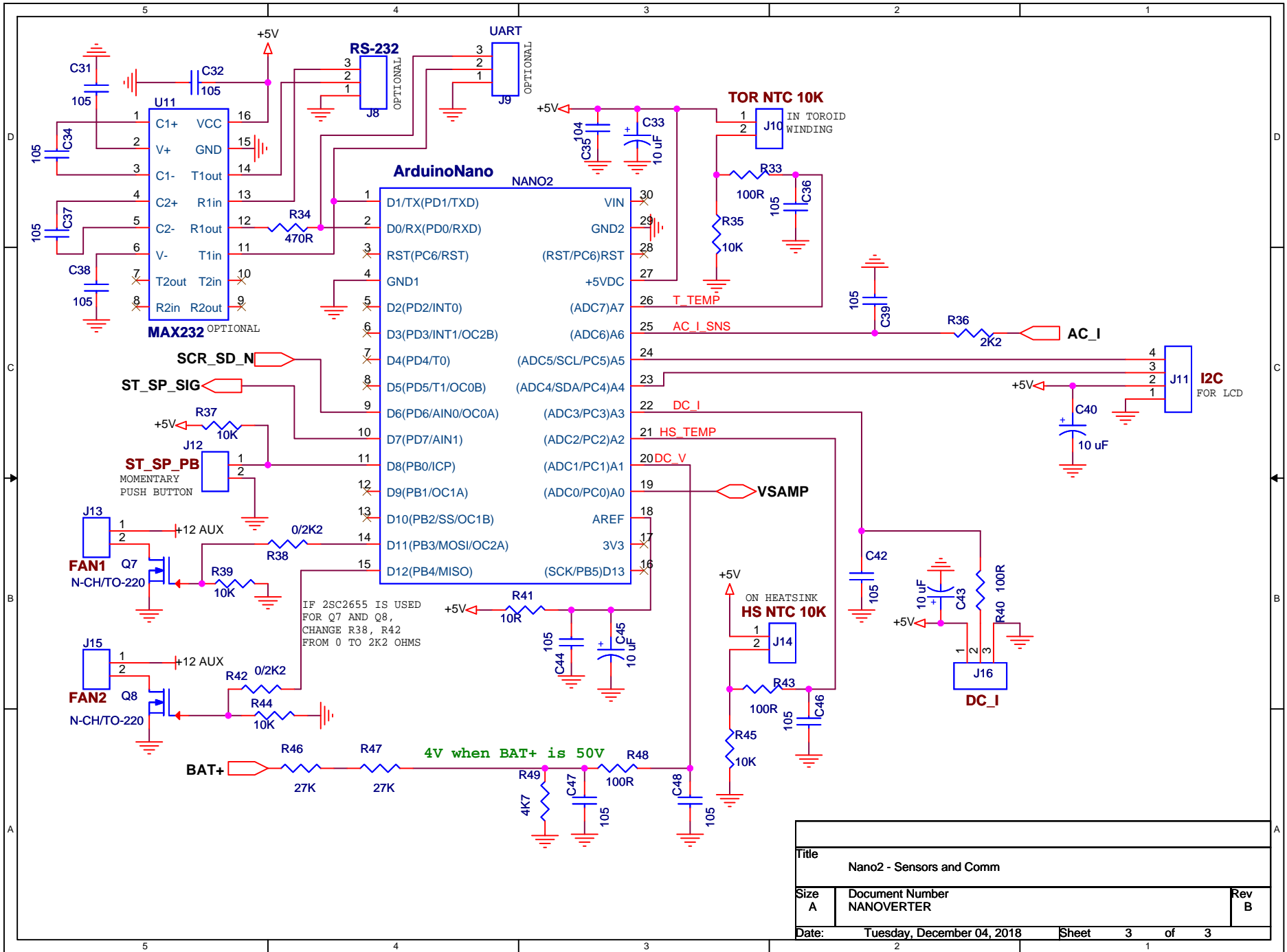


LOCATE FOR SHORTEST CONNECTION TO UI PINS.

ArduinoNano NANO1

1	D1(TX/PD1/TXD)	VIN	30
2	D0(RX/PD0/RXD)	GND2	29
3	RST(PC6/RST)	(RST/PC6)RST	28
4	GND1	+5VDC	27
5	D2(PD2/INT0)	(ADC7)A7	26
6	D3(PD3/INT1/OC2B)	(ADC6)A6	25
7	D4(PD4/T0)	(ADC5/SCL/PC5)A5	24
8	D5(PD5/T1/OC0B)	(ADC4/SDA/PC4)A4	23
9	D6(PD6/AIN0/OC0A)	(ADC3/PC3)A3	22
10	D7(PD7/AIN1)	(ADC2/PC2)A2	21
11	D8(PB0/ICP)	(ADC1/PC1)A1	20
12	D9(PB1/OC1A)	(ADC0/PC0)A0	19
13	D10(PB2/SS/OC1B)	AREF	18
14	D11(PB3/MOSI/OC2A)	3V3	17
15	D12(PB4/MISO)	(SCK/PB5)D13	16

Title		
Nano1 - SPWM Generator, External Sync and Shutdown		
Size A	Document Number NANOVERTER	Rev B
Date:	Tuesday, December 04, 2018	Sheet 2 of 3



Title		
Nano2 - Sensors and Comm		
Size A	Document Number NANOVERTER	Rev B
Date:	Tuesday, December 04, 2018	Sheet 3 of 3