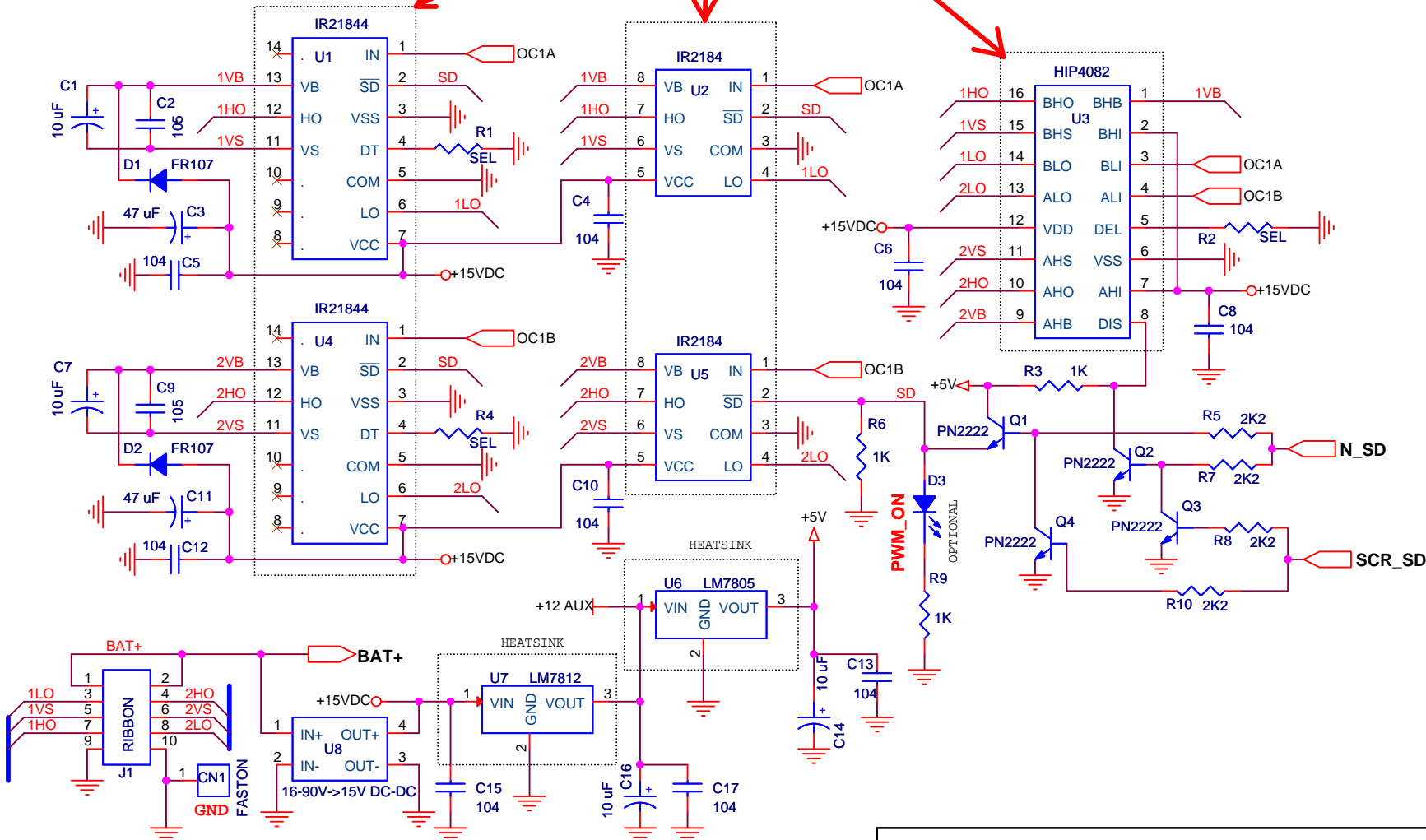


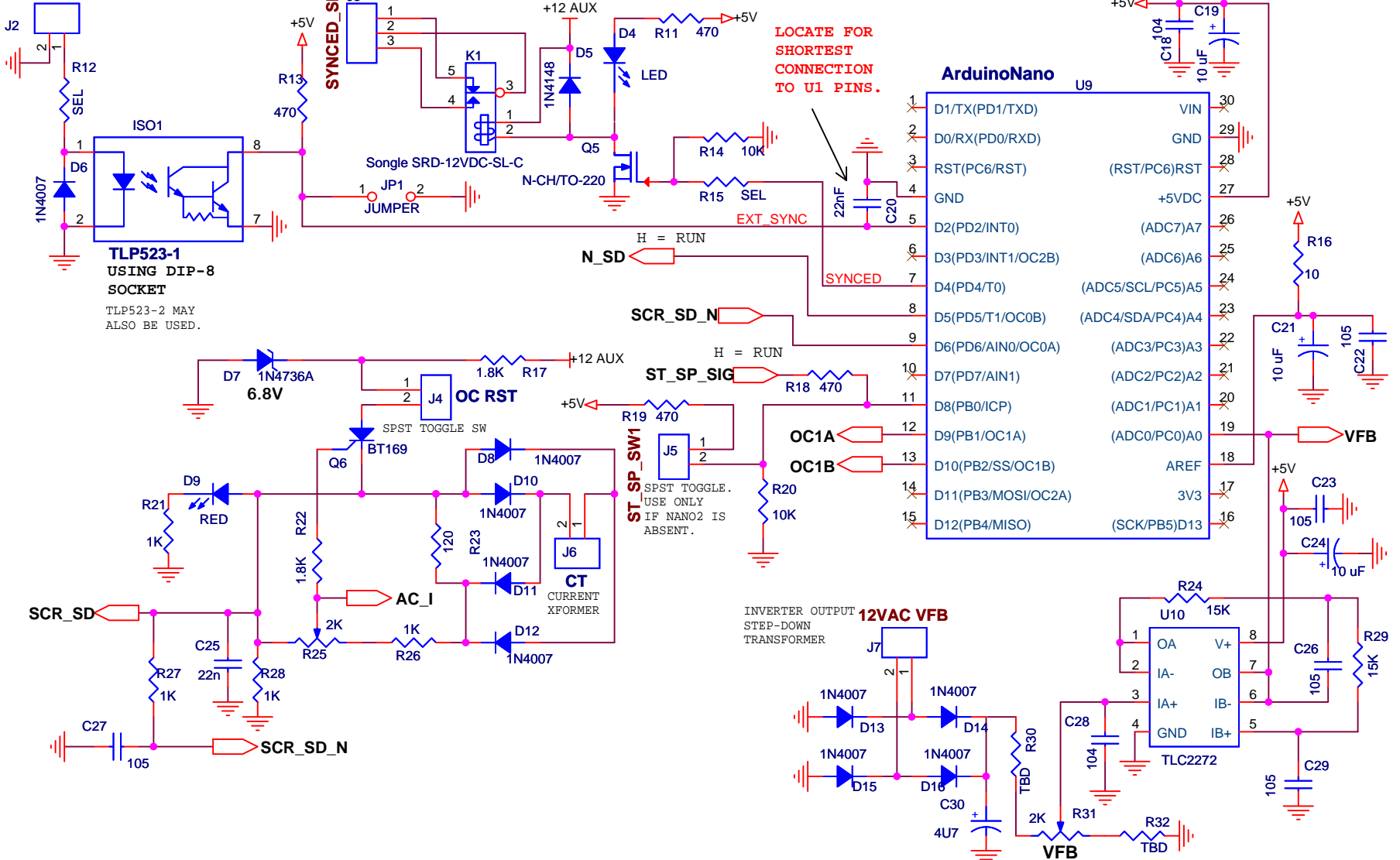
**CHOOSE YOUR POISON.
CAUTION: MORE THAN ONE CAN KILL!**



DRAFT

Title		
Drivers and Power Supplies		
Size	Document Number	Rev
A	Nanoverter	<Rev Code>
Date:	Tuesday, November 27, 2018	Sheet 1 of 3

12VAC EXTERNAL XFMR



LOCATE FOR SHORTEST CONNECTION TO U1 PINS.

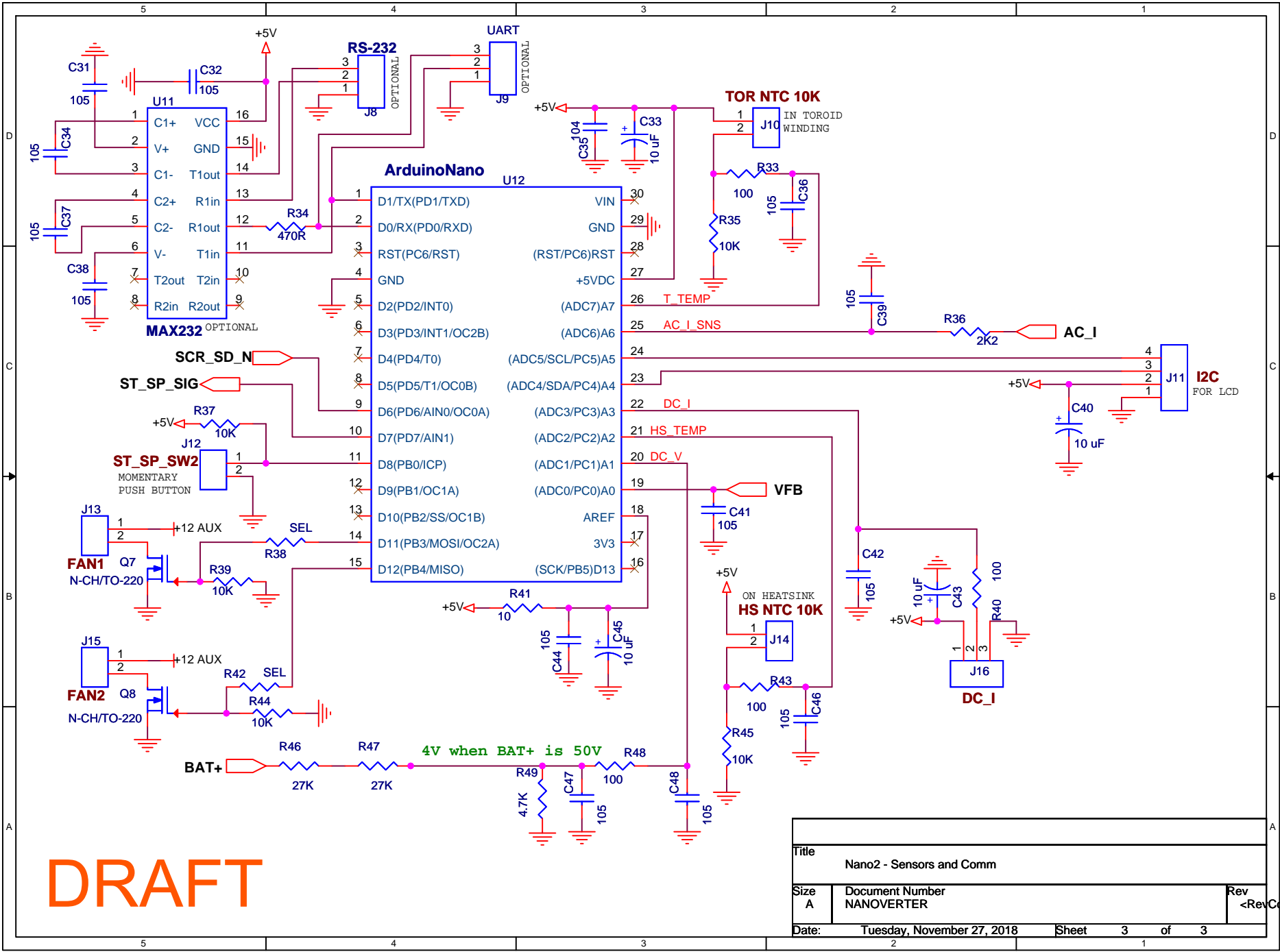
TLP523-1
USING DIP-8
SOCKET
TLP523-2 MAY
ALSO BE USED.

SPST TOGGLE SW.
USE ONLY
IF NANO2 IS
ABSENT.

INVERTER OUTPUT
STEP-DOWN
TRANSFORMER

DRAFT

Title		
Nano1 - SPWM Mosfet Drivers @ Power Supplies		
Size A	Document Number NANOVERTER	Rev <Rev Code>
Date:	Tuesday, November 27, 2018	Sheet 2 of 3



DRAFT

Title		
Nano2 - Sensors and Comm		
Size	Document Number	Rev
A	NANOVERTER	<Rev Code>
Date:	Tuesday, November 27, 2018	Sheet 3 of 3