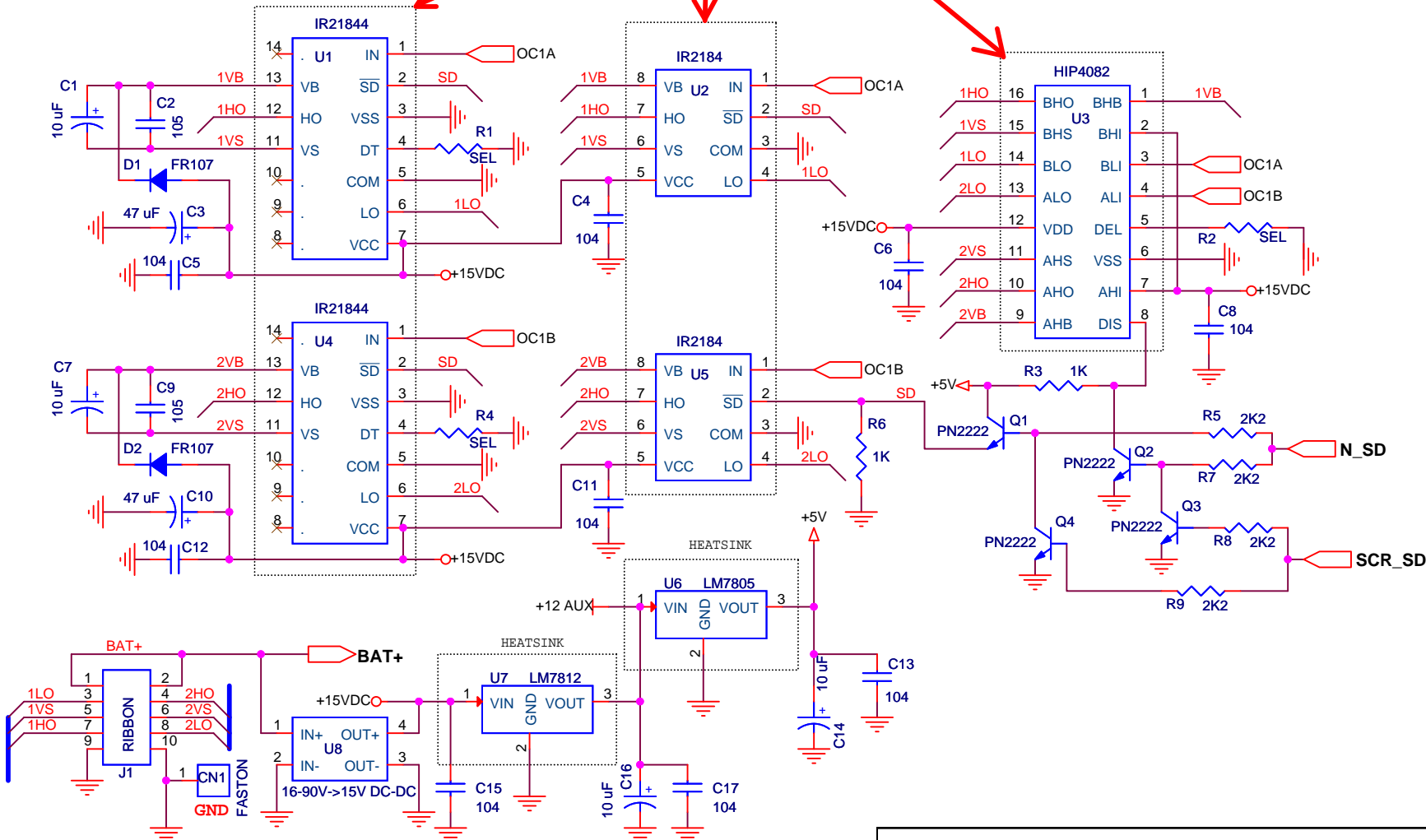


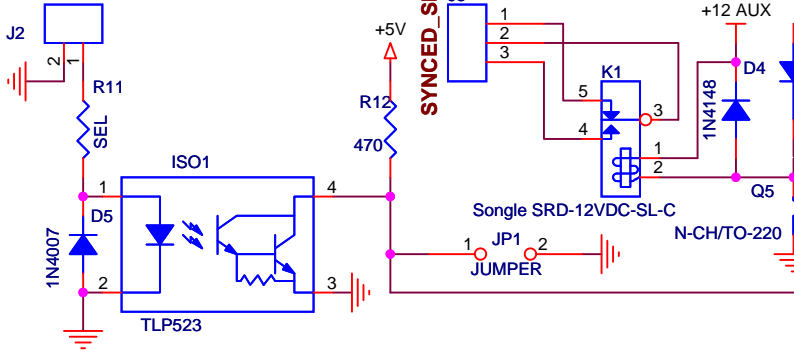
**CHOOSE YOUR POISON.
CAUTION: MORE THAN ONE CAN KILL!**



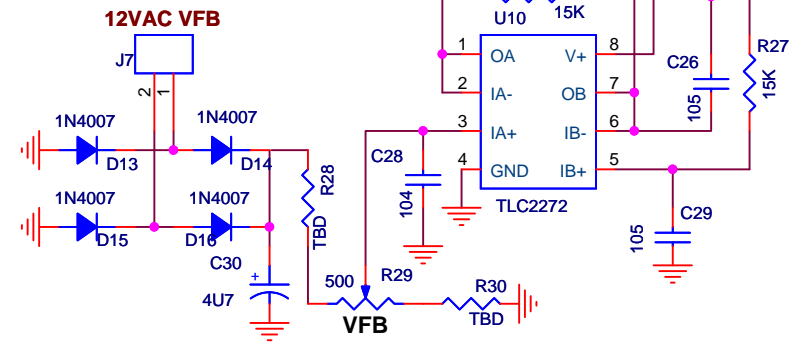
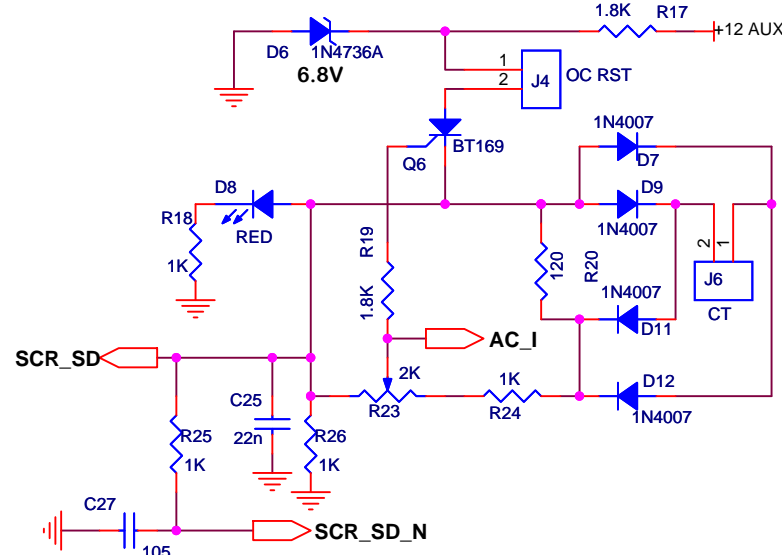
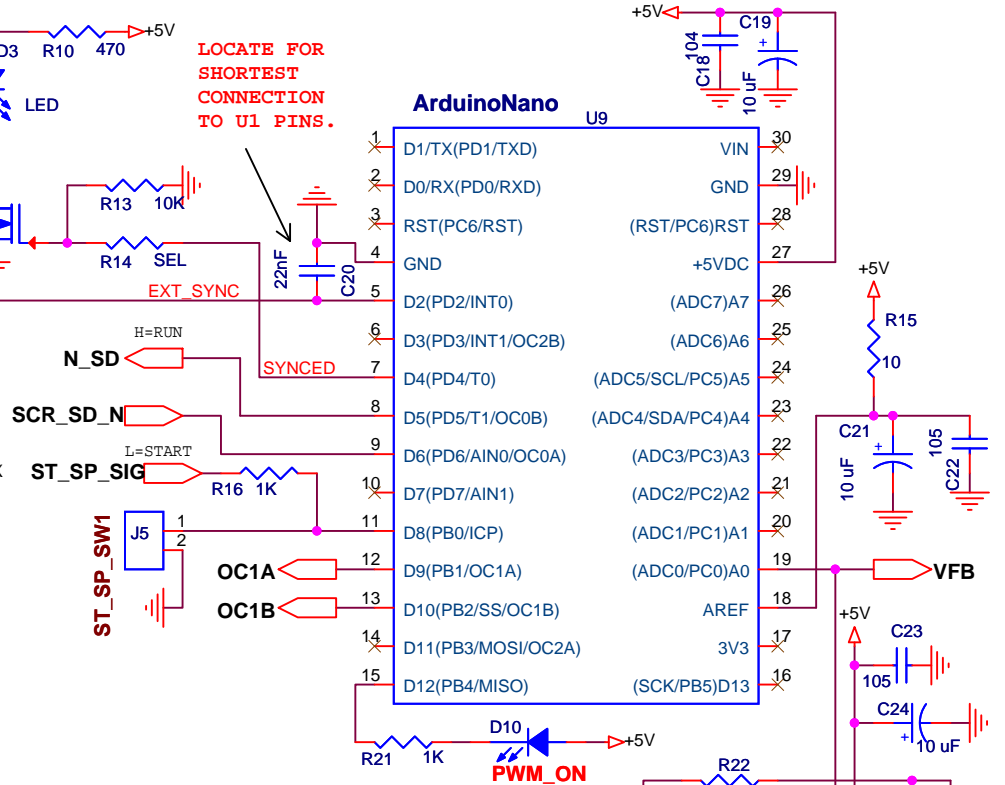
DRAFT

| | | |
|----------------------------|---------------------------|--------------|
| Title | | |
| Drivers and Power Supplies | | |
| Size | Document Number | Rev |
| A | Nanoverter | <Rev Code> |
| Date: | Sunday, November 25, 2018 | Sheet 1 of 3 |

12VAC EXTERNAL XFMR

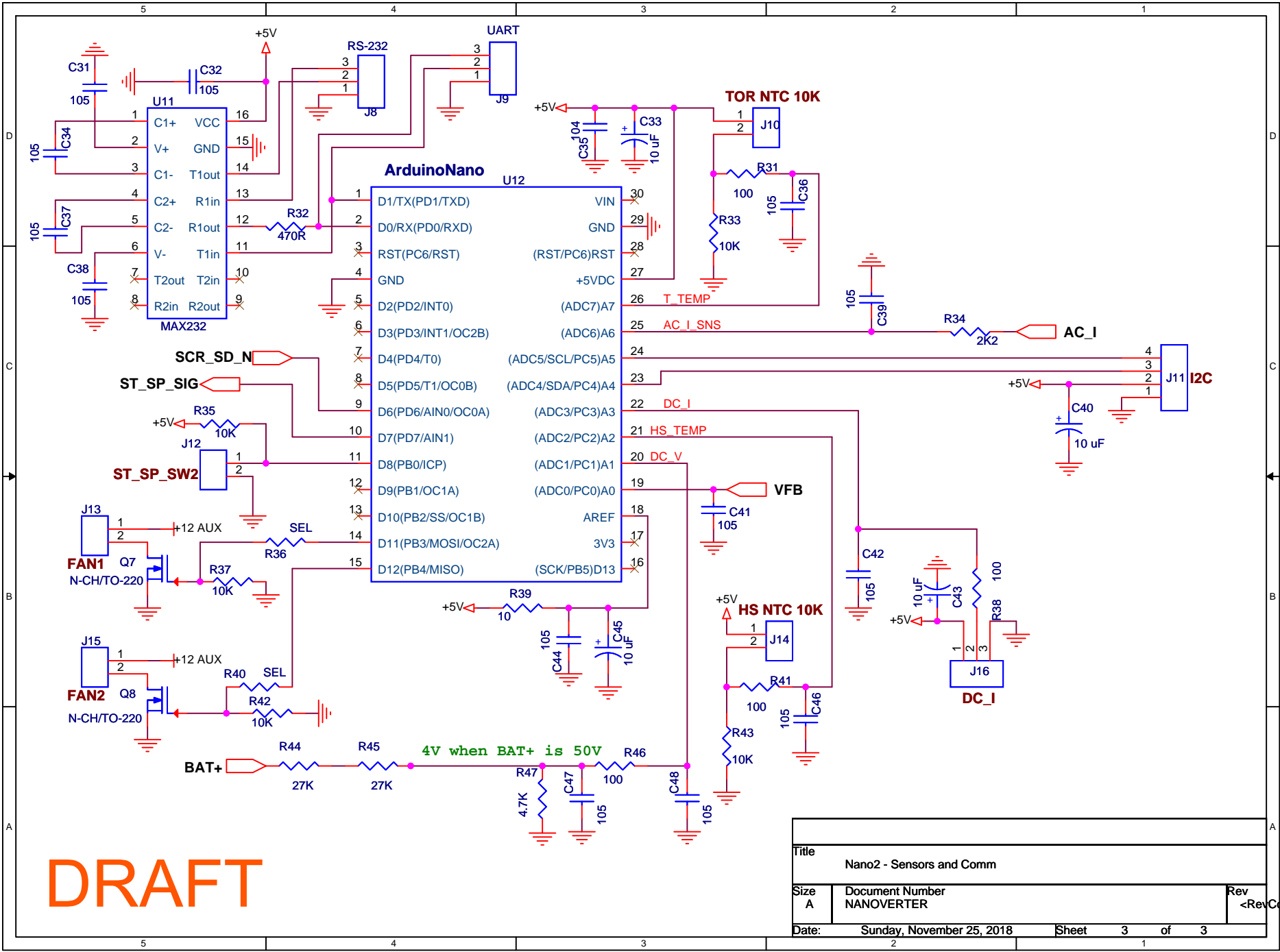


LOCATE FOR SHORTEST CONNECTION TO UI PINS.



DRAFT

| | | |
|--|-------------------------------|-------------------|
| Title | | |
| Nano1 - SPWM Mosfet Drivers @ Power Supplies | | |
| Size A | Document Number NANOVERTER | Rev <Rev Code> |
| Date: | Sunday, November 25, 2018 | Sheet 2 of 3 |



DRAFT

| | | |
|--------------------------|---------------------------|--------------|
| Title | | |
| Nano2 - Sensors and Comm | | |
| Size | Document Number | Rev |
| A | NANOVERTER | <Rev Code> |
| Date: | Sunday, November 25, 2018 | Sheet 3 of 3 |