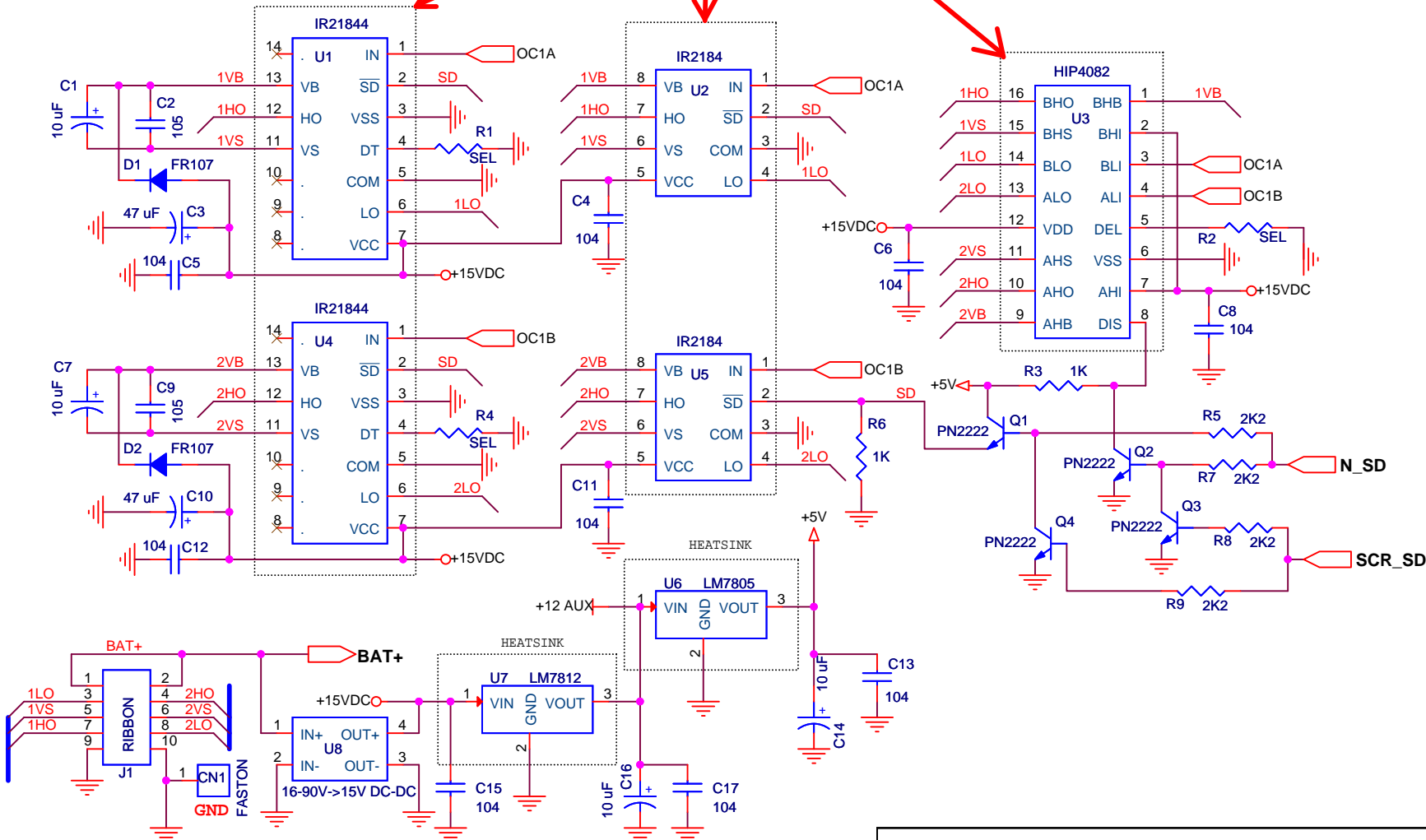


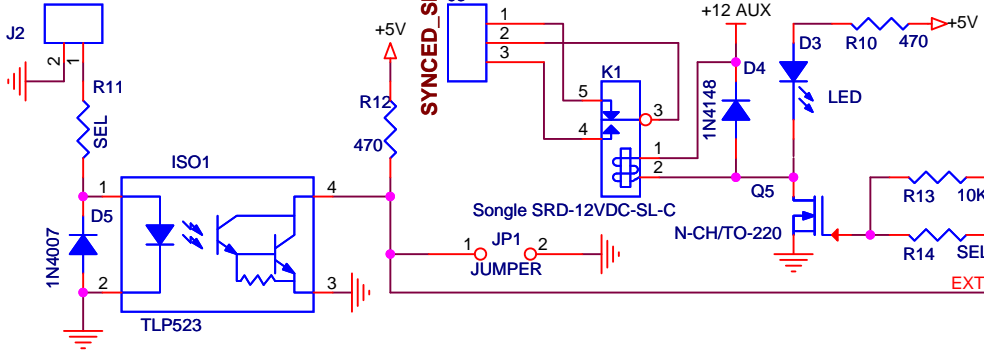
**CHOOSE YOUR POISON.
CAUTION: MORE THAN ONE CAN KILL!**



DRAFT

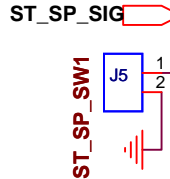
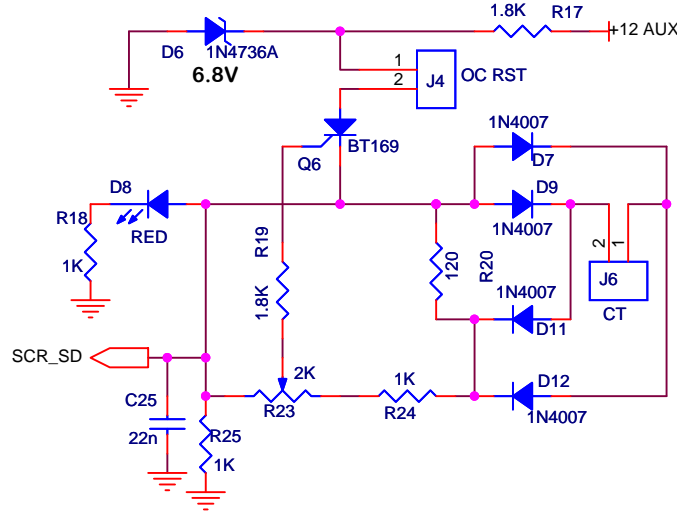
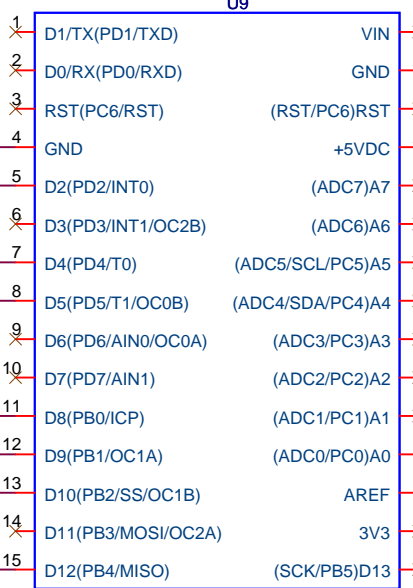
Title		
Drivers and Power Supplies		
Size	Document Number	Rev
A	Nanoverter	<Rev Code>
Date:	Sunday, November 25, 2018	Sheet 1 of 3

12VAC EXTERNAL XFMR

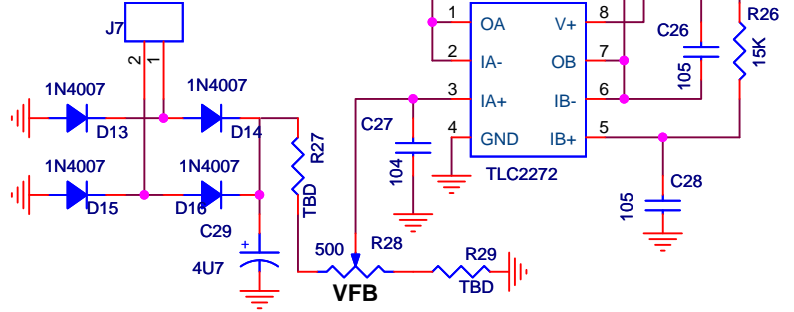


LOCATE FOR SHORTEST CONNECTION TO U1 PINS.

ArduinoNano U9

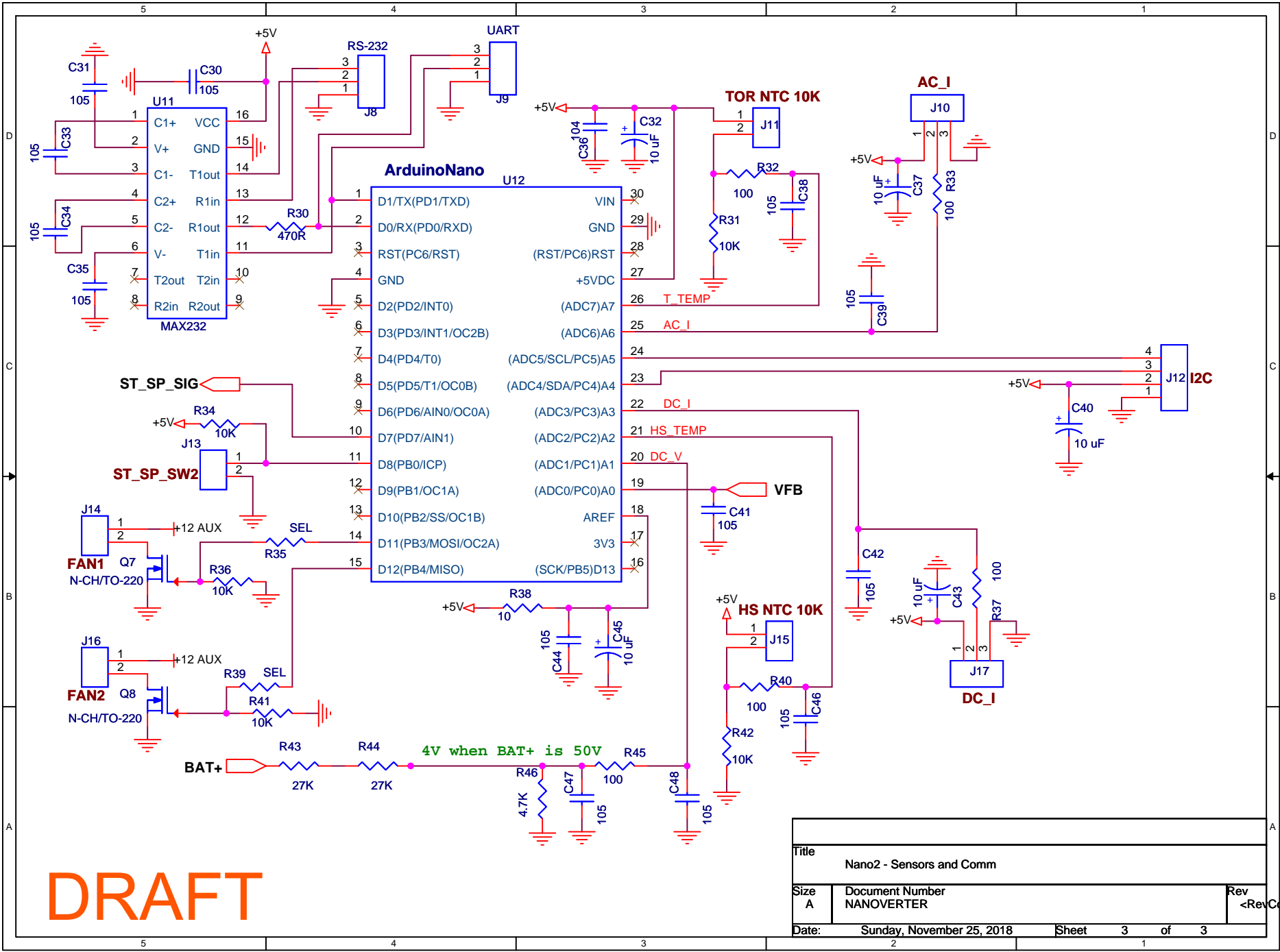


12VAC VFB



DRAFT

Title		
Nano1 - SPWM Mosfet Drivers @ Power Supplies		
Size A	Document Number NANOVERTER	Rev <Rev Code>
Date:	Sunday, November 25, 2018	Sheet 2 of 3



DRAFT

Title		
Nano2 - Sensors and Comm		
Size	Document Number	Rev
A	NANOVERTER	<Rev Code>
Date:	Sunday, November 25, 2018	Sheet 3 of 3