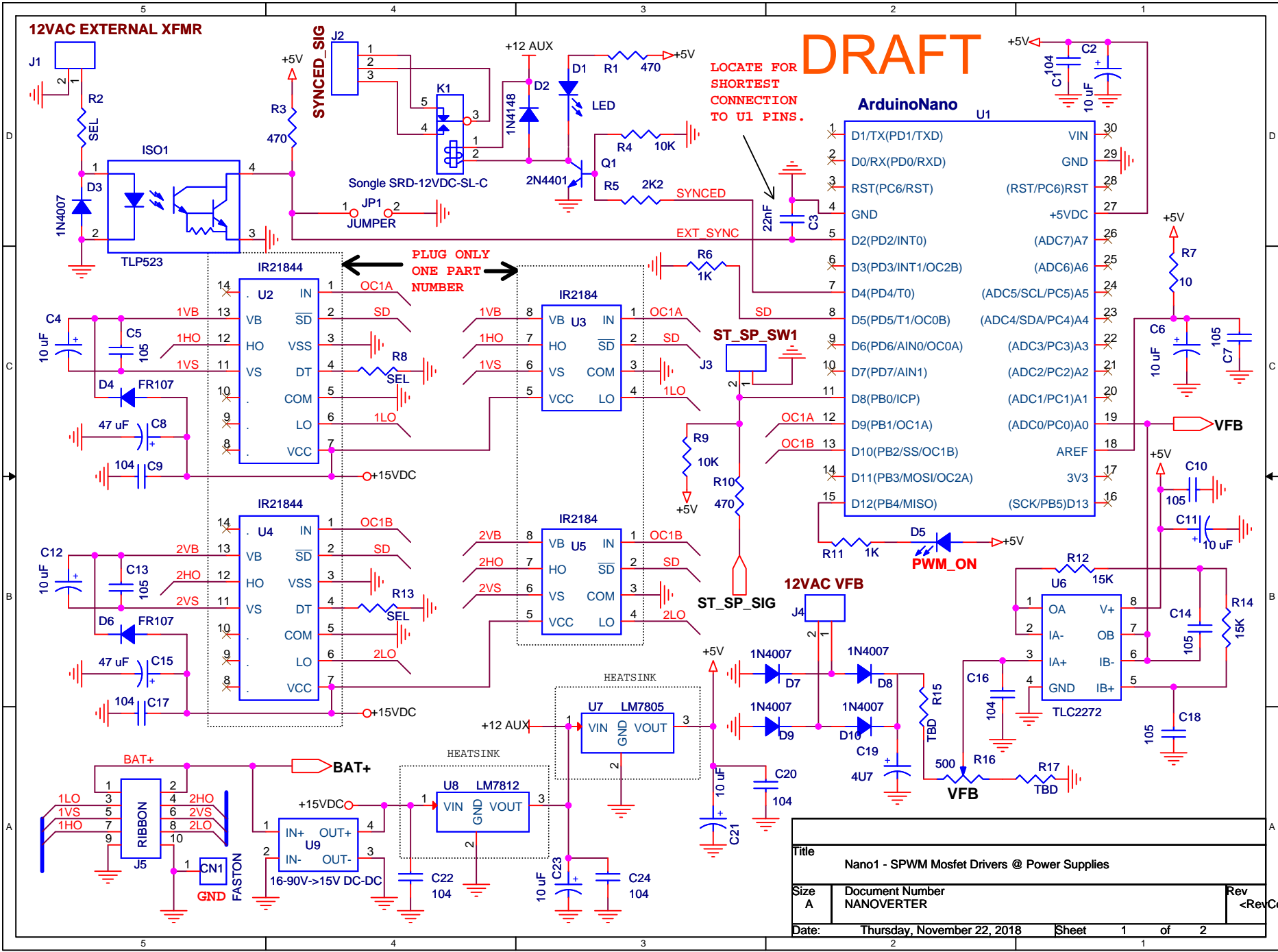
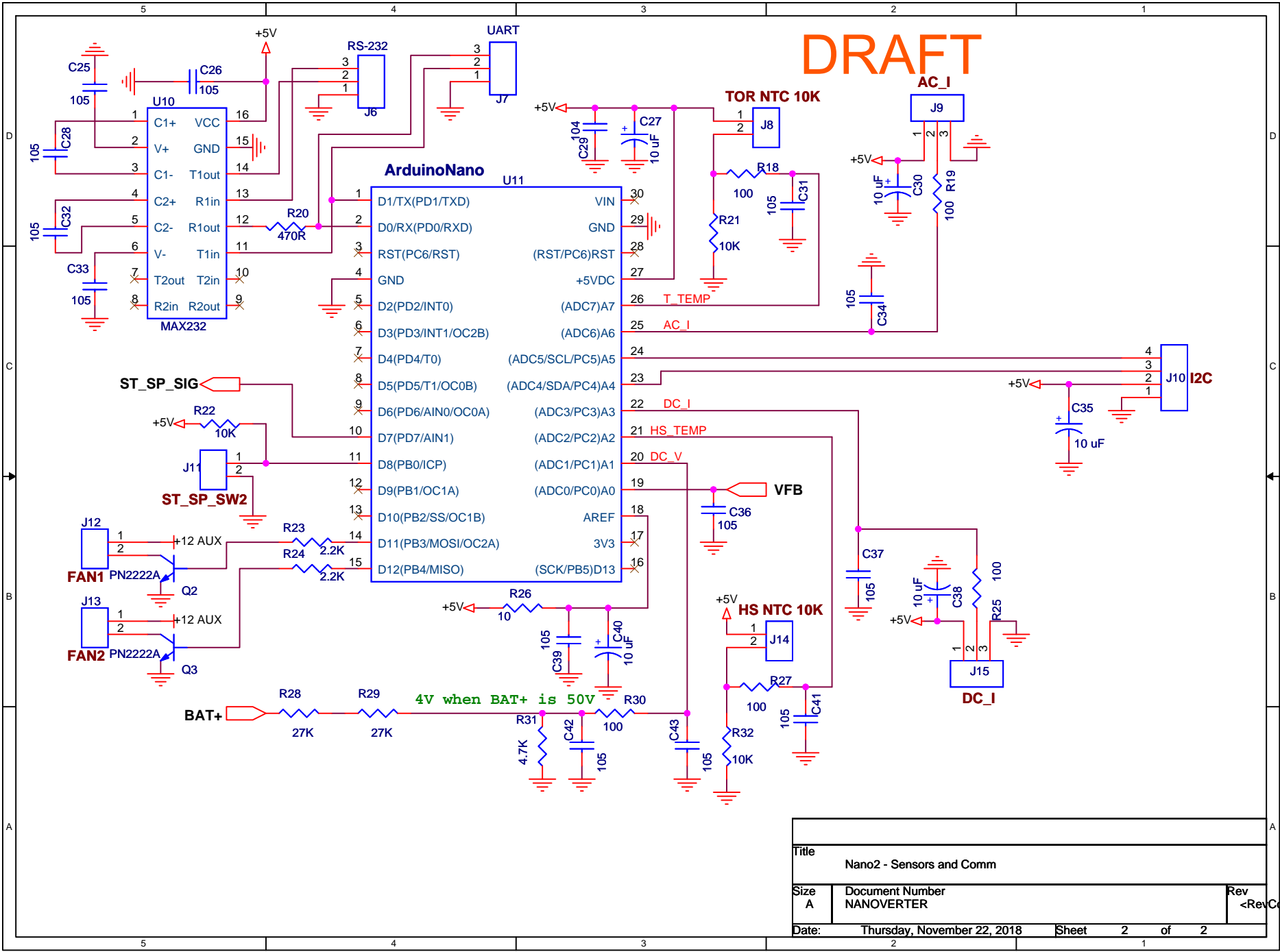


DRAFT



Title		
Nano1 - SPWM Mosfet Drivers @ Power Supplies		
Size A	Document Number NANOVERTER	Rev <Rev Code>
Date:	Thursday, November 22, 2018	Sheet 1 of 2

DRAFT



Title		
Nano2 - Sensors and Comm		
Size	Document Number	Rev
A	NANOVERTER	<RevCode>
Date:	Thursday, November 22, 2018	Sheet 2 of 2