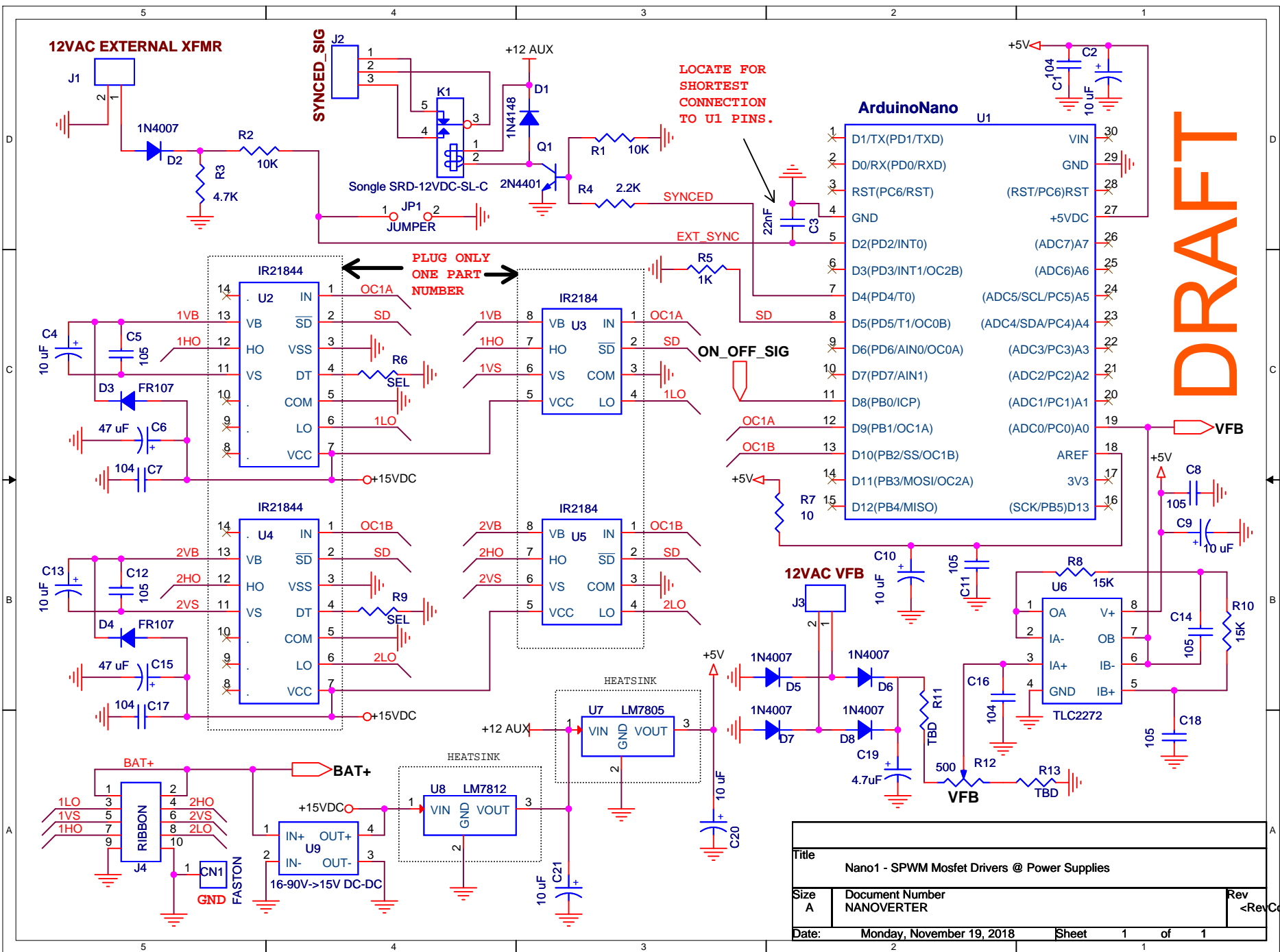


DRAFT



Title		
Nano1 - SPWM Mosfet Drivers @ Power Supplies		
Size A	Document Number NANOVERTER	Rev <Rev Code>
Date:	Monday, November 19, 2018	Sheet 1 of 1