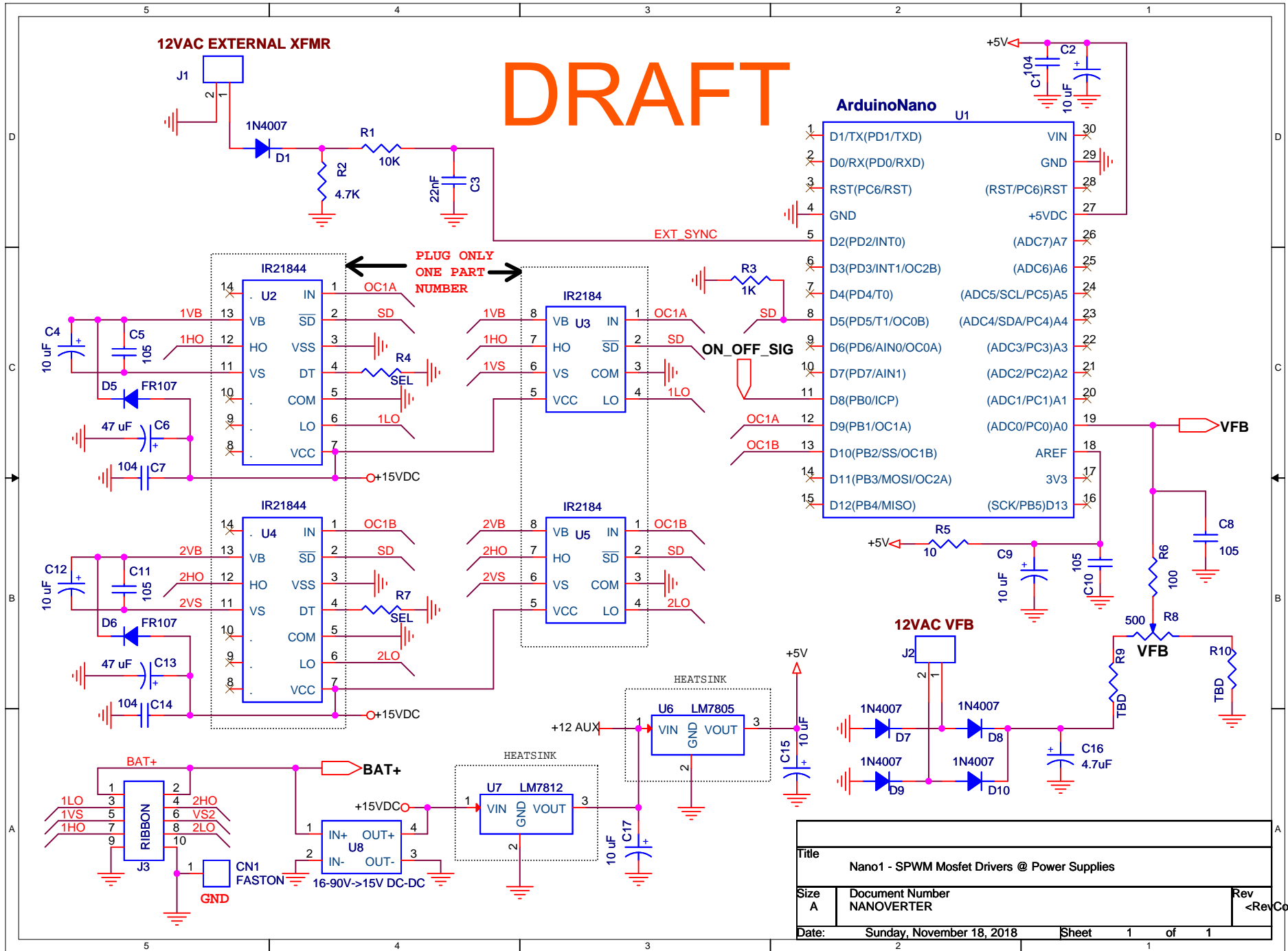


# DRAFT



Title		
Nano1 - SPWM Mosfet Drivers @ Power Supplies		
Size A	Document Number NANOVERTER	Rev <RevCode>
Date:	Sunday, November 18, 2018	Sheet 1 of 1