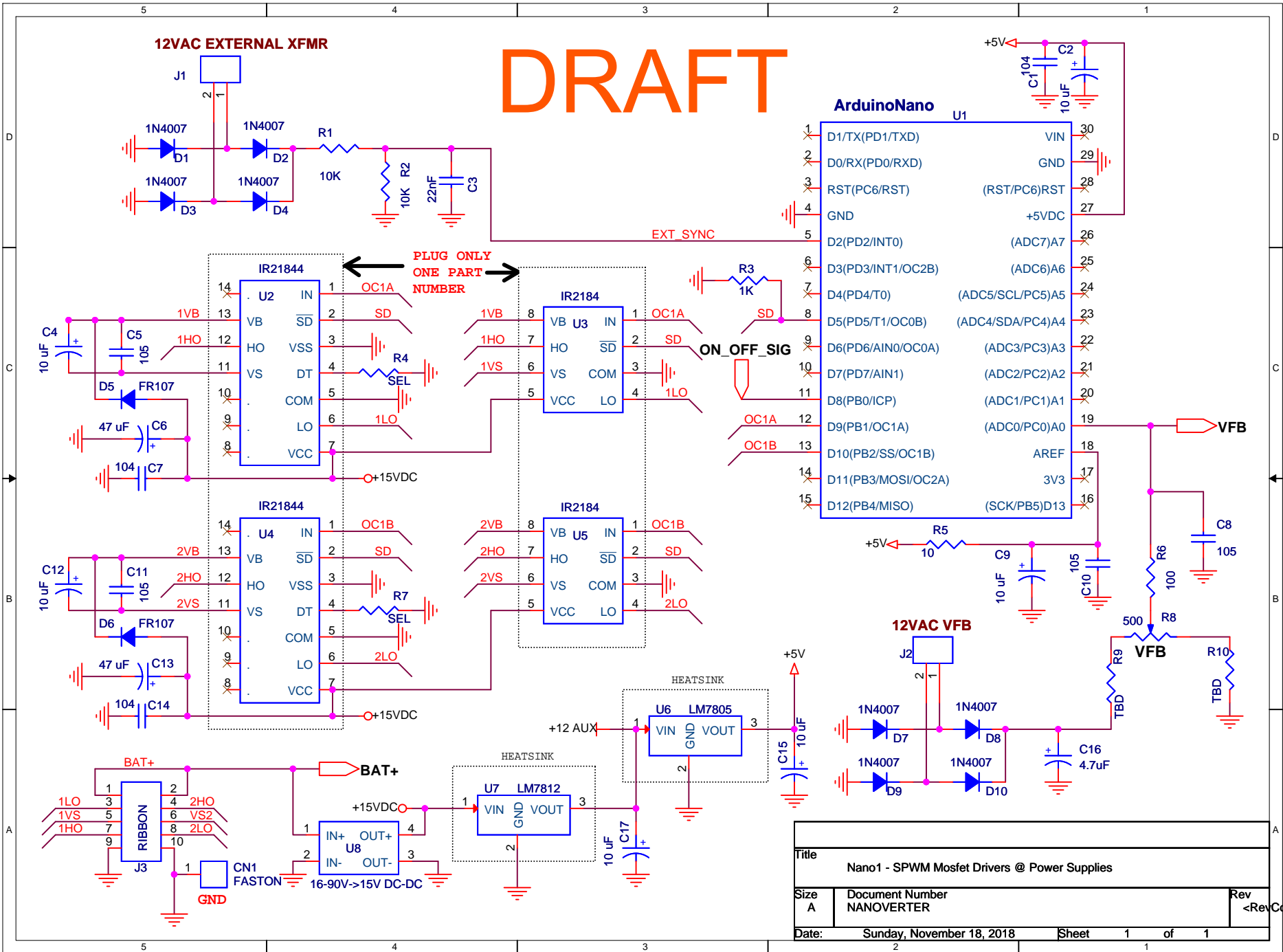


DRAFT



| | | |
|--|-------------------------------|------------------|
| Title | | |
| Nano1 - SPWM Mosfet Drivers @ Power Supplies | | |
| Size A | Document Number NANOVERTER | Rev <RevCode> |
| Date: | Sunday, November 18, 2018 | Sheet 1 of 1 |