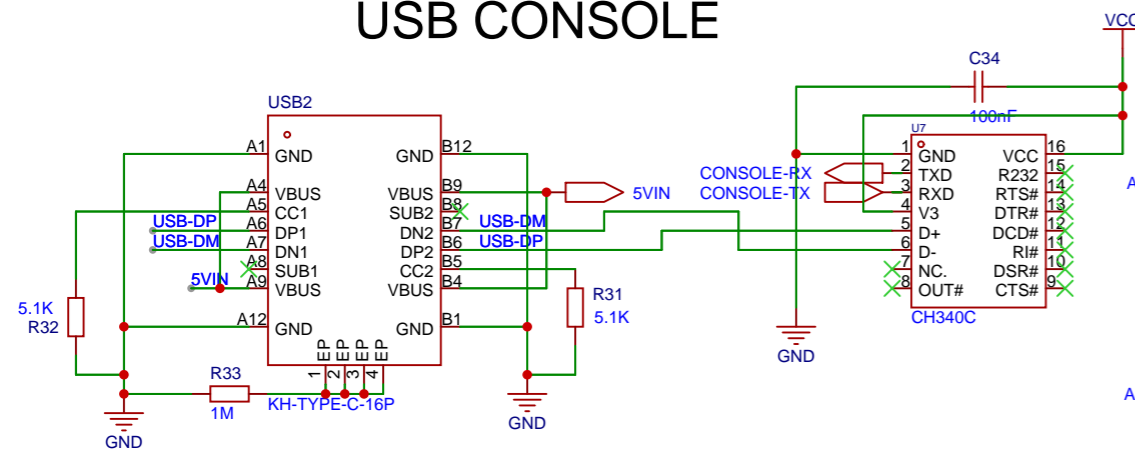
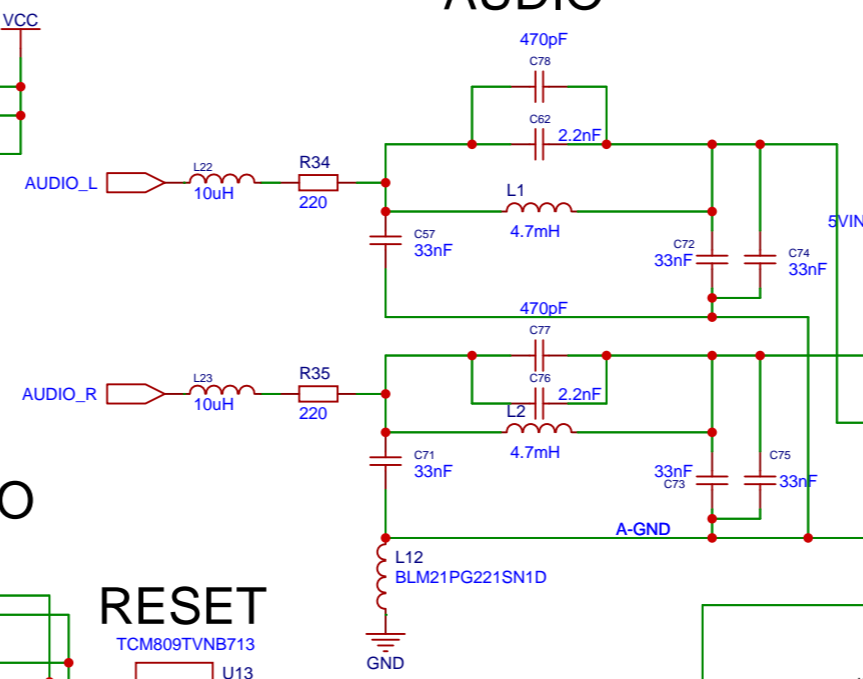


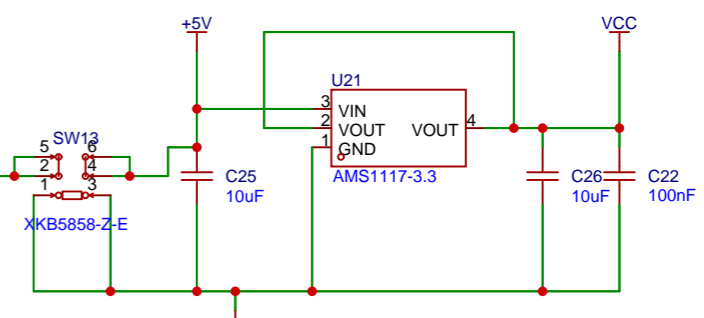
# USB CONSOLE



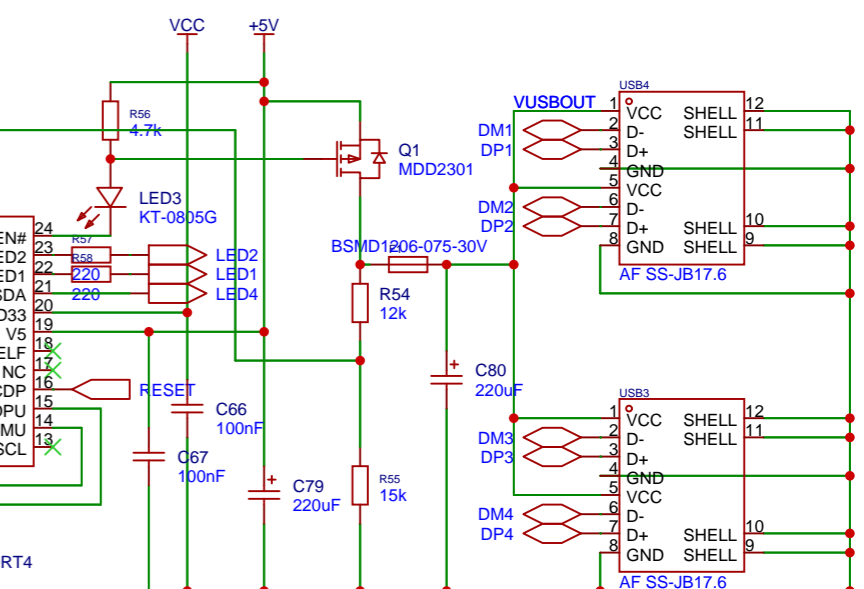
# AUDIO



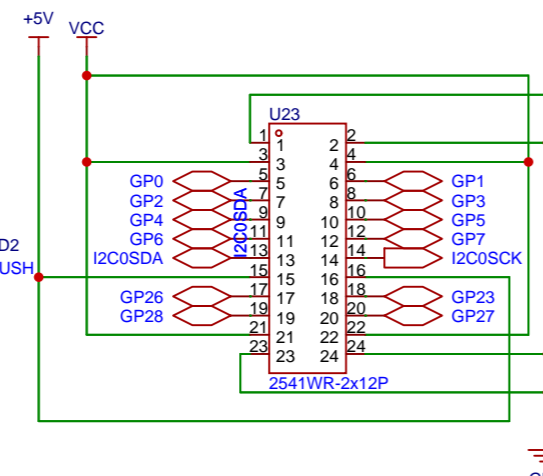
# POWER



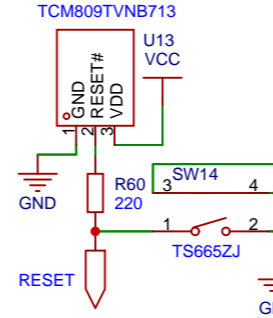
# USB HUB



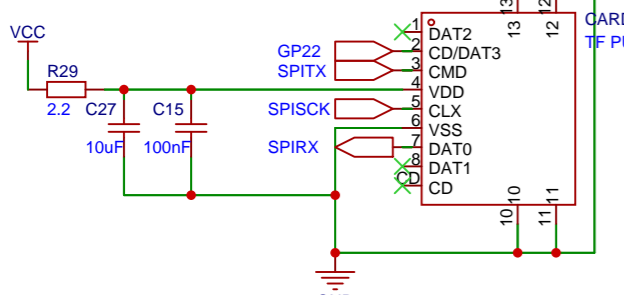
# EXTERNAL I/O



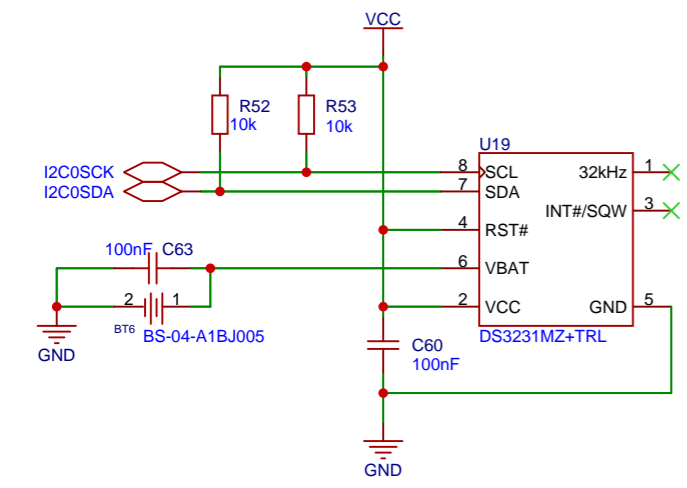
# RESET



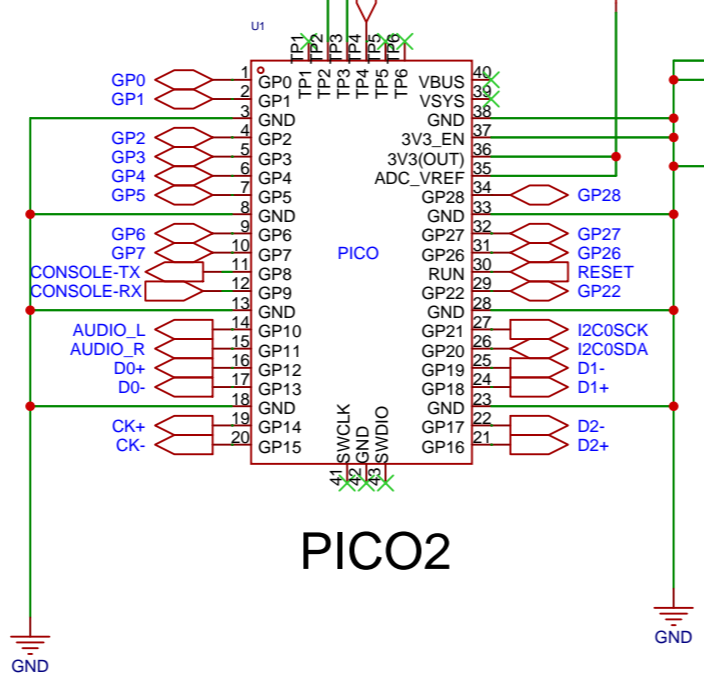
# SDCARD



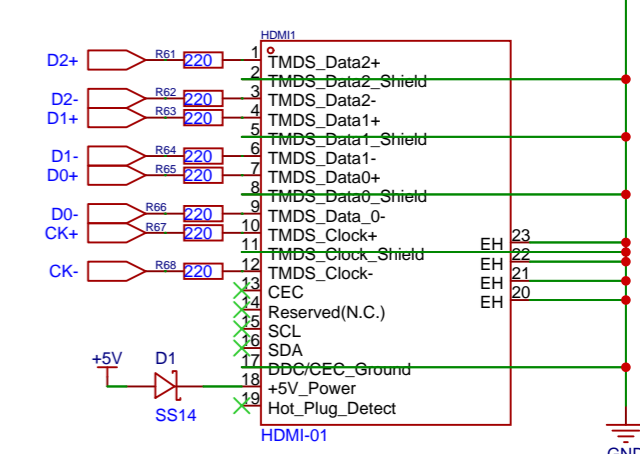
# RTC



# PICO2



# HDMI



Schematic	Schematic1			Update Date	2024-09-16
Page	P1			Create Date	2024-09-13
Drawn	EasyEDA	PicoUSBMotherboard			
Reviewed	EasyEDA				
VER	V0.1	SIZE	A4	PAGE	1 OF 1
EasyEDA		EasyEDA.com			