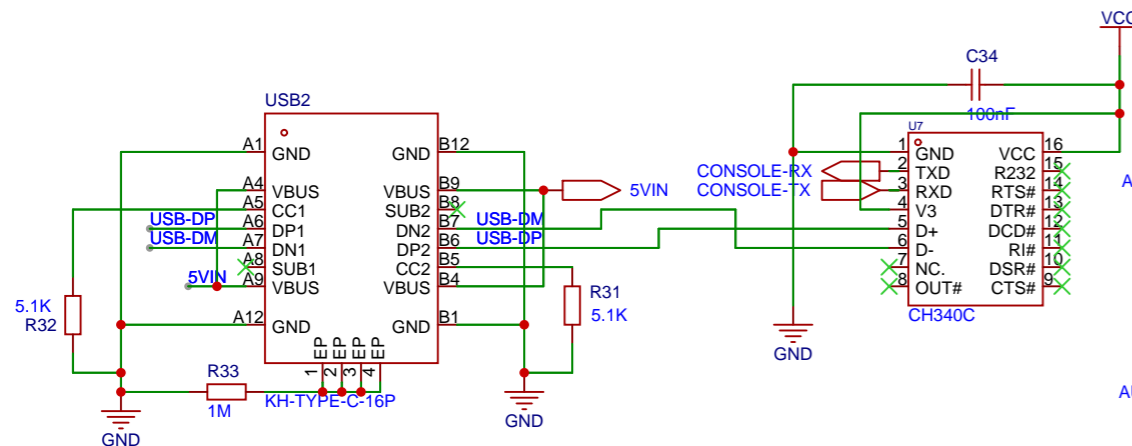
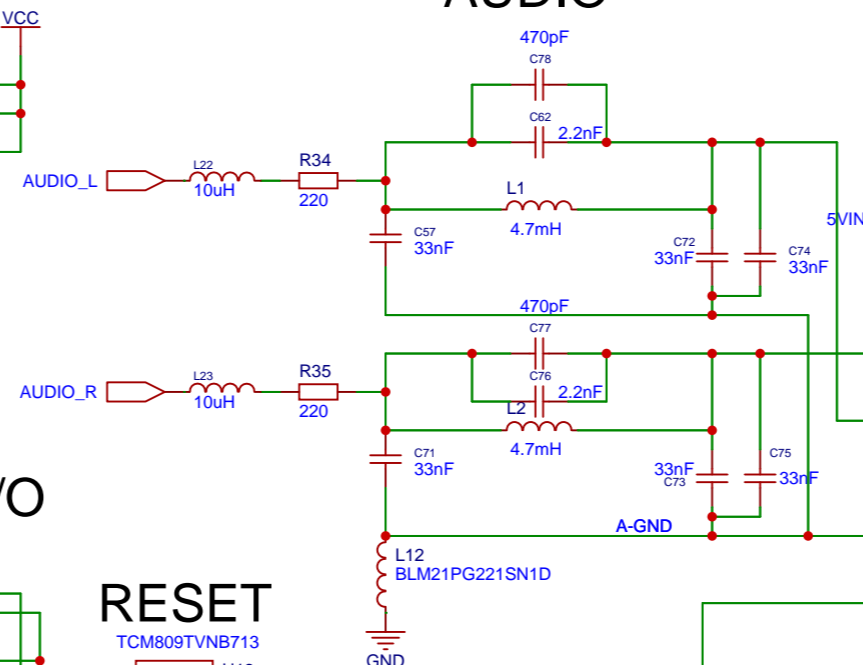


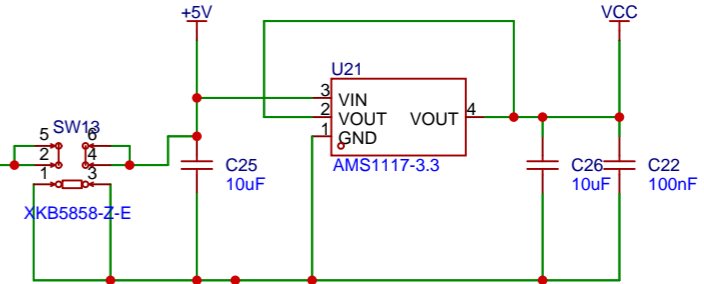
# USB CONSOLE



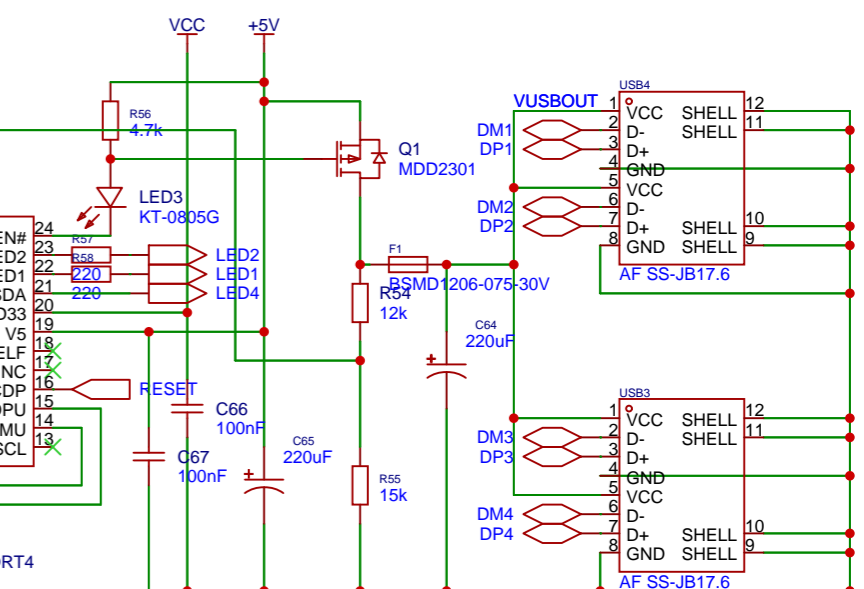
# AUDIO



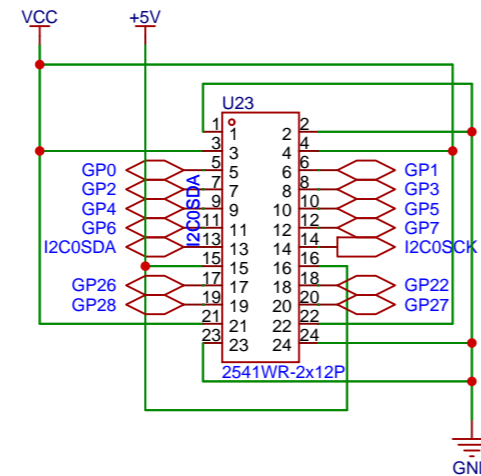
# POWER



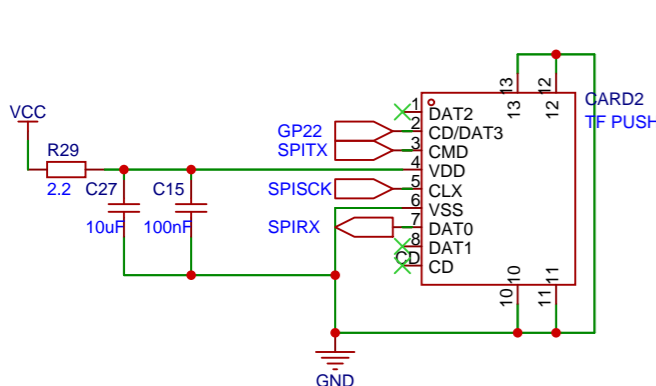
# USB HUB



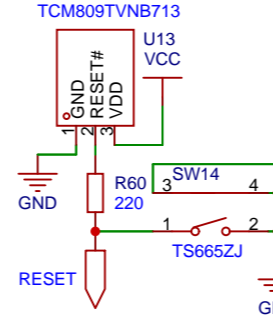
# EXTERNAL I/O



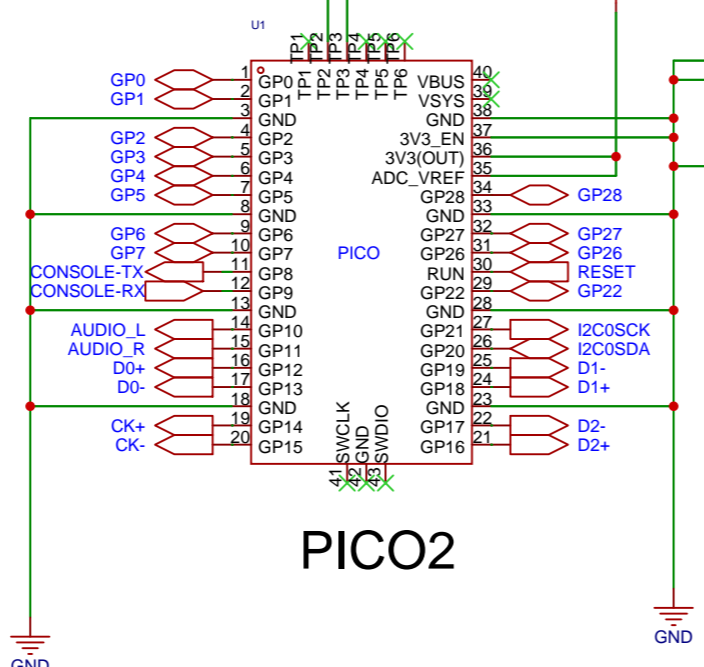
# SDCARD



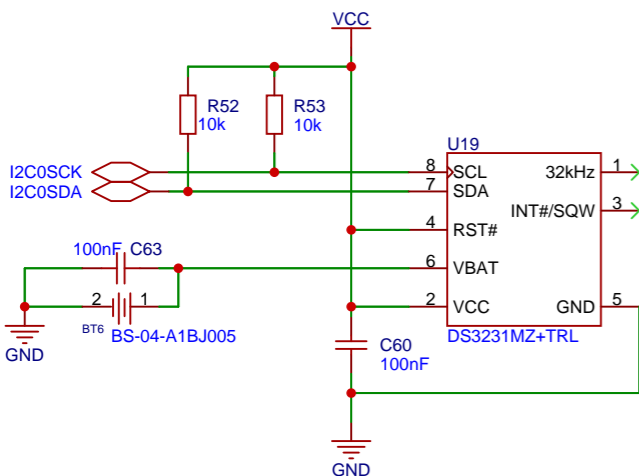
# RESET



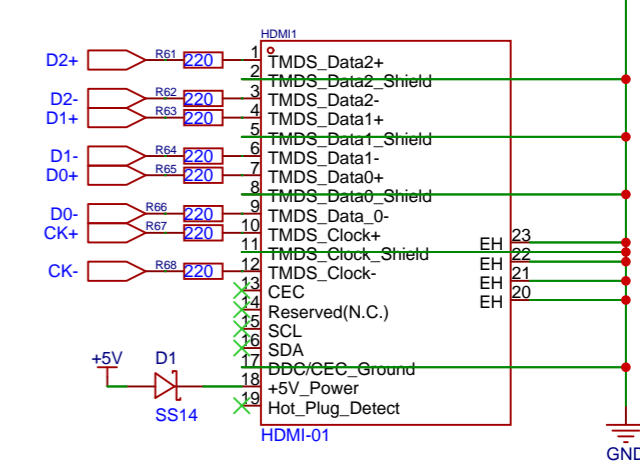
# PICO2



# RTC



# HDMI



Schematic	Schematic1		Update Date	2024-09-15	
Page	P1		Create Date	2024-09-13	
Drawn	EasyEDA	PicoUSBMotherboard	Part Number	JLCPCB-002	
Reviewed	EasyEDA				
			VER	SIZE	PAGE 1 OF 1
EasyEDA			V0.1	A4	EasyEDA.com